



# Professional Fans Owner's Manual

*misting & non-misting*





©2025 Advanced Misting Systems.  
All Rights Reserved.

The purpose of this document is to be informative, and as such is not guaranteed to be error-free. Advanced Misting Systems takes steps to ensure that our information is correct and as error-free as is reasonable. Please let us know if you believe you found a typo or error.

## What's In the Box

| QTY | NON-MISTING FAN CONTENTS                                    |
|-----|---|
| 1   | Fan Only  |
| 1   | Wall Mounting Bracket with Set of Sleeve Anchors & Lagbolts |
| 2   | Fan Bracket Screws  |
| 2   | Replacement Fuses   |
| 1   | Cover   |

| QTY               | MISTING FAN CONTENTS  |
|-------------------|---|
| 1                 | Fan with Misting Ring and Hose Adapter  |
| <i>one set of</i> | 4 Misting Nozzles for 14" Fan<br>5 Misting Nozzles for 18" Fan<br>8 Misting Nozzles for 24" Fan |
| 1                 | Wall Mounting Bracket with Set of Sleeve Anchors & Lagbolts                                     |
| 2                 | Fan Bracket Screws  |
| 2                 | Replacement Fuses   |
| 1                 | Cover   |

## Warnings

- Read and follow all instructions before operating fan.
- Do not use fan if any parts are damaged or missing.
- Never insert fingers or any other objects into grilles while fan is operating.
- Always disconnect fan from power outlet before cleaning, moving, or repositioning.
- Do not expose fans to harsh chemicals or water from high-pressure cleaner (pressure washer).
- To clean, wipe down with soapy water and gently rinse with hose. Allow fan to dry thoroughly before reconnecting to power outlet.
- Motor bearings are sealed and do not require additional lubrication.
- For misting fans, do not operate mist in freezing weather conditions. Misting components must be winterized to prevent damage. See page 7.

## Installation

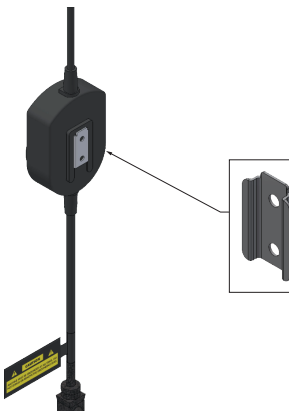
---

*Fan plugs contain fuses that are required for proper operation, therefore fans cannot be hardwired.*

1. Determine location of fan(s)
  - Recommended Installation Heights

|          |              |
|----------|--------------|
| 14" Fans | 6–8 Feet     |
| 18" Fans | 8–10 Feet    |
| 24" Fans | Over 10 Feet |
  - For best airflow coverage, measure from ground to base of mounting bracket.
  - Be sure fan has plenty of room to oscillate without hitting objects. Installation within or too close to pathways is not recommended.
  - Make sure power outlet is near fan mounting point.
2. Mount bracket using provided anchors
  - Lagbolt—1/8" pilot hole for wood
  - Sleeve anchor—3/8" masonry for concrete and brick
3. Attach fan by sliding fan on top of bracket and securing with bracket screws. Longer screw with cotter pin goes on bottom.

*If you are unsure of the proper installation methods required to safely mount the fan bracket, and/or lack the proper tools for installation, hire a qualified professional to provide assistance.*



### For Cord-Control Models

- Control knob ships with mounting bracket attached. Remove by sliding off the control.
- Secure bracket with flanges facing outward and elongated back facing upward.
- Tip: Mount control directly under fan to conceal excess cord in tube of wall bracket.

## Setup

---

### Tilt Adjustment

Firmly grasp fan head and tilt up and down to desired position. Tilting mechanism clicks at predefined angles for solid hold.

**WARNING!** *Tilt mechanism is spring loaded and uses the weight of fan head to adjust. Do not undo bolt as this may cause failure.*

### Oscillation

Oscillation covers 30 degrees to right or left from center. If fan is mounted in corner space, it may be pivoted and secured on bracket to change center of oscillation.

- Press down on oscillation knob (top of fan motor) to make fan oscillate.
- Pull up on oscillation knob to stop oscillating.
- To change center of oscillation:
  1. Remove top and bottom screws that secure fan to wall bracket.
    - Discard bottom screw and cotter pin.
  2. Pivot fan to desired position.
  3. Lock into place by using shorter top screw and fastening into threaded hole on front part of bracket. Tighten well.

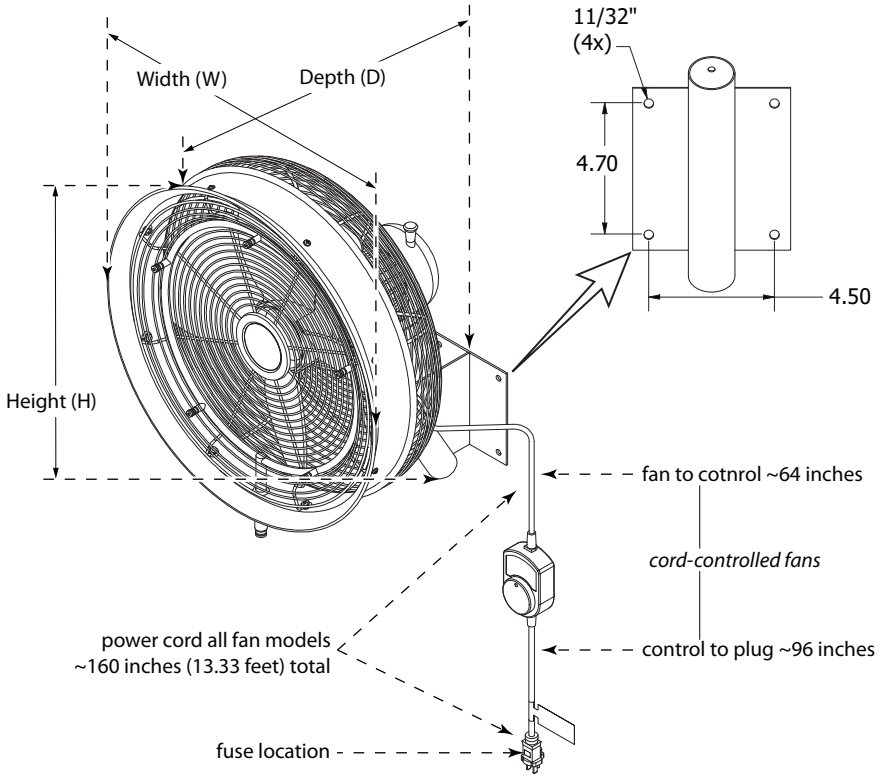
If oscillation knob becomes loose, use Phillips screwdriver to tighten reverse threaded screw located inside knob.

### Speed Control

Turn the speed control knob to set desired relative fan speed. Actual speed (RPM) differs for each fan size; see specifications on page 6.

Speeds:      0 = Off                      1 = Low                      2 = Medium                      3 = High

## Specifications



| FAN SIZE | WGT (LBS) | DIMENSIONS |        |        | SPEED NO. | POWER CONSUMPTION |      |       | SPEED RPM | VOL. CFM | NOISE DB |
|----------|-----------|------------|--------|--------|-----------|-------------------|------|-------|-----------|----------|----------|
|          |           | W (IN)     | D (IN) | H (IN) |           | VOLTS             | AMPS | WATTS |           |          |          |
| 14"      | 18        | 16.9       | 16.9   | 23.2   | 1         | 110 at 60 Hz      | 0.49 | 52    | 1691      | 1,600    | 65       |
|          |           |            |        |        | 2         |                   | 0.61 | 64    | 1719      | 1,650    | 65       |
|          |           |            |        |        | 3         |                   | 0.87 | 94    | 1747      | 1,690    | 65       |
| 18"      | 27        | 20.3       | 17.5   | 25.2   | 1         | 110 at 60 Hz      | 0.94 | 105   | 1040      | 7,614    | 65       |
|          |           |            |        |        | 2         |                   | 1.20 | 134   | 1250      | 9,518    | 73       |
|          |           |            |        |        | 3         |                   | 1.57 | 178   | 1510      | 14,100   | 80       |
| 24"      | 37        | 26.3       | 17.5   | 26.3   | 1         | 110 at 60 Hz      | 1.51 | 160   | 895       | 10,575   | 73       |
|          |           |            |        |        | 2         |                   | 1.64 | 175   | 980       | 13,536   | 80       |
|          |           |            |        |        | 3         |                   | 1.90 | 202   | 1075      | 15,863   | 84       |

Fan requires US standard 120 volts grounded outlets (NEMA 5-15R or 5-20R).

## Winterizing Instructions for Misting Fan Heads

1. Remove all nozzles from fan ring. This allows nylon hose and rings to completely drain, which prevents breakage due to freezing.
  - Tip: Storing nozzles in small a container or bag prevents collecting dust while not in use.
2. Clean nozzles with 50/50 diluted vinegar and warm water. Do not use harsh chemicals as they will harm o-rings.
3. For harsh winter weather conditions, cover, or store the fan heads to prevent damage.

## Advanced Misting Systems One (1) Year Limited Warranty

Advanced Misting Systems products are warranted for a period of one (1) year from date of purchase for defects in workmanship and materials under normal use and service. This warranty is extended solely to the original purchaser.

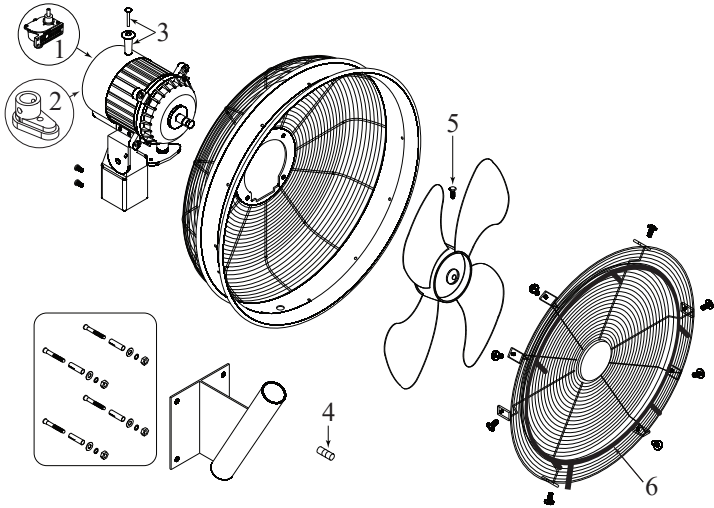
Altering the construction of a fan in any manner not prescribed by this manual is not considered normal use and voids the warranty. This includes, but is not limited to, cutting the cord or modifying the bracket.

In General: If an Advanced Misting Systems product fails because of defect in material or workmanship under normal use and maintenance within one year from date of purchase, we will, at our option and after inspection, repair or replace the defective product.

About your Warranty: Fan products, like all mechanical devices, need periodic parts and service to perform well. Normal use and service means not to operate in excess of recommended maximum speeds, pressures, temperatures or using fluids not recommended or compatible with component materials.

Warranty does not cover damage caused by natural weathering conditions or any acts of God.

## Replacement Parts



| ITEM NO.  | DESCRIPTION   | 14" PART NO.               | 18" PART NO.               | 24" PART NO.               |
|-----------|---|----------------------------|----------------------------|----------------------------|
| 1         | Oscillator Assembly                                 | F10-10-131                 | F10-10-131                 | F10-10-131                 |
| 2         | Oscillator Arm Drive Bushing                        | F10-10-103                 | F10-10-103                 | F10-10-103                 |
| 3         | Oscillating Knob, Black with Reverse-Threaded Screw | F10-10-054                 | F10-10-054                 | F10-10-054                 |
| 4         | Fuse, (inside fan plug)                             | F10-10-111                 | F10-10-111                 | F10-10-111                 |
| 5         | Fan Blade, White Plastic                            | —                          | F10-10-057                 | —                          |
| 5         | Fan Blade, Black Plastic                            | —                          | F10-10-061                 | —                          |
| 5         | Fan Blade, Aluminum                                 | —                          | —                          | F10-10-066                 |
| 6         | Misting Ring with Grommet (according to fan size)   | F10-11-014                 | F10-11-018                 | F10-11-024                 |
| not shown | Misting Nozzle (10/24 thread)                       | F10-08-001<br>(4 per ring) | F10-08-001<br>(5 per ring) | F10-08-001<br>(8 per ring) |

**Want more cool?  
Turn your fan into a misting system!**